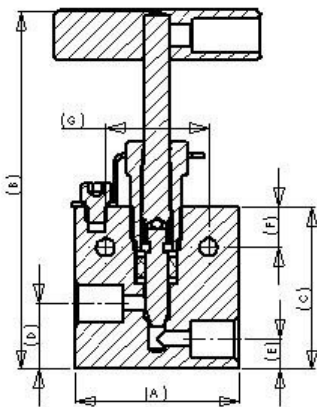
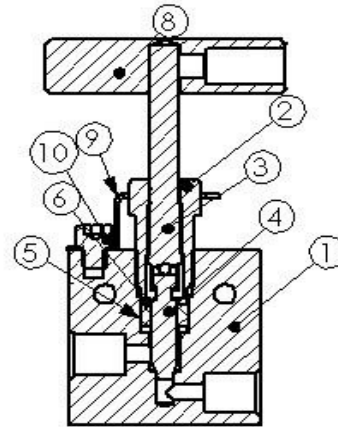


NEEDLE VALVE STAINLESS STEEL T316 (BAR STOCK) 15000 PSI.

MOD.IVS15-2 . MARCA: INVAL.

NEEDLE VALVE WITH NON ROTATIVE TIP. THIS KIND OF TIP ASSURES MORE DURATION AND BETTER SERVICE. THE BODY IS STAINLESS STEEL T316 AND THE NON ROTATIVE TIP IS STAINLESS 174PH. THE PACKING IS VITON 200°C.

THE VALVE IS THREADED ANSI (ASME) B1.20.1; MATERIALS NACE MR 0175; INSPECTION AND HIDOSTATICS PROOF API 598; MATERIALS ASTM A276



MATERIALES DE CONSTRUCCION

N°	PARTE	MATERIAL
1	BODY	SS T-316
2	BONET	SS T-316
3	STEM	SS T-316
4	TIP	SS. 17-4 PH
5	EMPAQUE	VITON.
6	GUASAS	SS.T-316.
8	HANDLE	SS T-304.
9	LOCK	SS. T-304
10	TORNILLO	SS. T-304

DIAM.IN.	A	B	C	D	E	F	G
1/4	2	4 1/4	2	13/16	3/8	1/2	1 1/4
3/8	2 5/8	6 1/2	3 1/8	1 3/8	3/4	3/4	1 3/4
1/2	2 5/8	6 1/2	3 1/8	1 3/8	3/4	3/4	1 3/4

SPECIFICATIONS

- *API 598 INSPECTIONS AND PROFF
- *ANSI (ASME) B1.20.1 THREADED FITTINGS.
- *NACE MR0175 MATERIALS.
- *ASTM A-276 MATERIALS