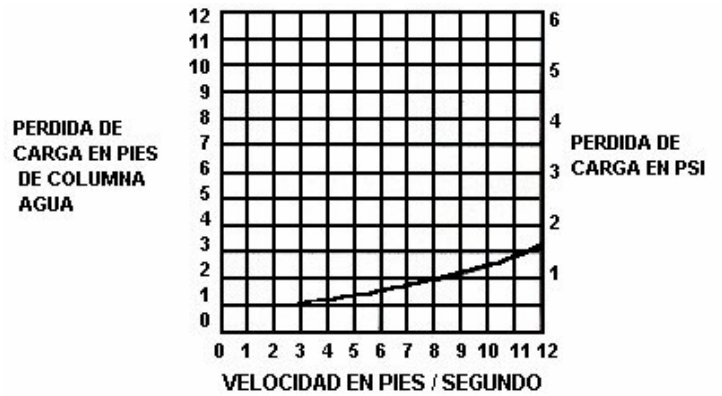
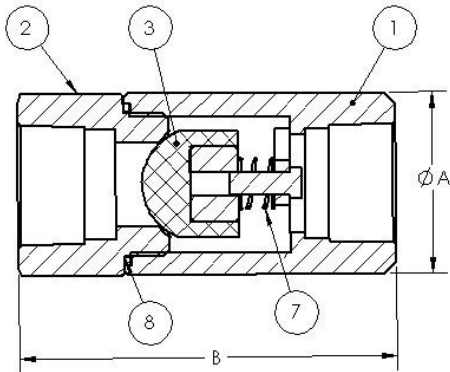


PISTON CHECK VALVE STAINLESS STEEL T316(BAR STOCK) WITH PTFE BALL 300 PSI, WOG, MOD VRBS-2, MARCA INVAL.

THIS CHECK VALVE WORKS WITH A SPRING THAT HELP TO CLOSE TO THE VALVE, THE DISC IS MADE WITH PTFE.

THE SEAL OF THE VALVE IS METAL PTFE. AND THE MAX. TEMPERATURE IS 230°C. THE MAX. PRESSURE IS 300 PSI.



MATERIALES DE CONSTRUCCION

NUM.	DESCRIPCION:	MATERIAL:
1	BODY	SS T-316
2	SEAT	SS T-316
3	PISTON	PTFE
7	SPRING	SS T-304
8	PAKING	PTFE

DIMENSIONS

DIAM.	A	B
1/2"	1"	2 5/16"
3/4"	1 1/2"	2 5/8"
1"	2"	3 3/4"

SPECIFICATIONS

- *API 598 INSPECTION AND PROFF
- *ANSI (ASME) B1.20.1 THREADED FITTINGS
- *ASTM A-276 MATERIALS