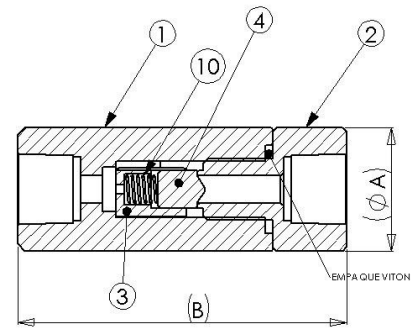
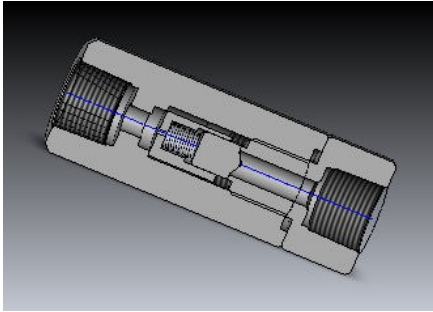


## CHECK VALVE STAINLESS STEEL T316 BAR STOCK. HIGH PRESSURE 6,000 PSI, MODELO VRS6000-1, MARCA INVAL.

CHECK VALVE, NPT THREADED, ANSI (ASME) B1.20.1.

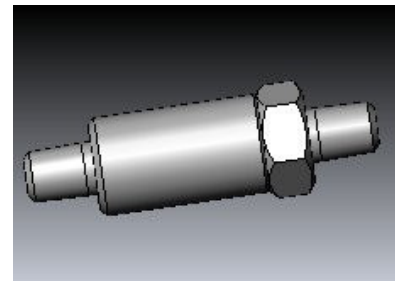
THE VALVE IS MADE STAINLESS STEEL T 316, THE VALVE IS KIND PISTON AND WORKS WITH A SPRING. THE VALVE CAN WORKS VERTICAL OR HORIZONTAL POSITION. THE VALVE SEAL IS METAL METAL. THE MAX. PRESSURE IS 6000 PSI. AND THE MAX. TEMPERATURE IS 200°C. THE VALVE IS CONSTRUCTED IN 2 PIECES.



### MATERIALES DE CONSTRUCCION

1 BODY	SS T-316
2 SEAT	SS T-316
3 GUIDE	SS T-316
4 PISTON	SS T-316
10 SPRING	SS T-304

### MALE FITTINGS



### DIMENSIONS VRS6000-1 FEMALE THREADED

DIAM	A	B	ORIFICIO.
1/4"	1"	2 5/8	0.190"
3/8"	1 1/4"	4"	0.300"
1/2"	1 1/4"	4"	0.312"
3/4"	1 1/2"	4 7/16"	0.437"
1"	2"	5"	0.609"
1 1/2"	3"	5"	0.875
2"	3 1/2"	6 1/8"	1"

### MALE THREADED VRS6000-1M

DIAM.	A	B	ORIFICIO
1/4 "	1"	3 5/8	0.190"

### NORMAS USADAS EN FABRICACION

- \*API 598 INSPECTIONS AND PROFF
- \*ANSI (ASME) B1.20.1 THREADED FITTINGS
- \*NACE MR 0175 MATERIALS
- \*ASTM A-276 MATERIALS

AVAILABLE MALE MALE