

## NEEDLE VALVE STAINLESS STEEL T316 (BAR STOCK) INTEGRAL BONET MOD.IVM-2. MARCA INVAL.

. THE VALVE IS THREADED, ANSI (ASME) B1.20.1, THE BONET IS THREADED IN THE VALVE ,THE DINAMIC SEAT IS CONTROLLED BY A PACKING IN THE BONET AND IT IS WORKING WHEN THE NUT IS THIGTEN.

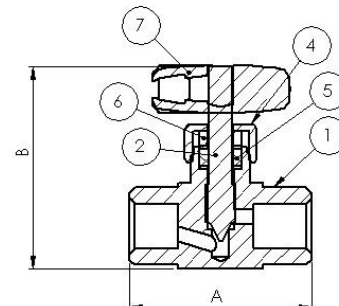
THE VALVE IS OPEN O CLOSED WHEN THE HANDE IS OPERATED AND THE STEM CHANGE THE POSITION. THE CONSTRUCTION IS IN STAINLESS STEEL T316.; THE CHEMIST COMPOSITION APROX.IS: (Cr: 18%; Ni: 12%; Mo: 2.5%).

THE SEAT IS INTEGRAL, PRESSURE MAX. SERVICE IS 6000 PSI AND MAX.TEMPERATURE IS 232°C



**NEEDLE VALVE INTEGRAL BONET  
FEMALE FITTINGS.  
DIMENSIONS .**

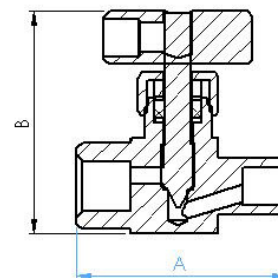
DIAM.	A	B
1/4"	1 7/8"	2 3/8"
1/2"	2 1/2"	3"



**NEEDLE VALVE INTEGRAL BONET.  
INLET MALE OUTLET FEMALE.**

DIMENSIONS.

DIAM.	A	B
1/4"	1 15/16"	2 3/8"
1/2"	2 9/16"	3"



DESCRIPCION MATERIALES		
PART	DESCRIPTION	MATERIAL
1	BODY	SS T-316
2	STEM	SS T-316
4	NUT	SS T-304
5	PACKING	TPTFE O PTFE/GRAFITO.
6	PREES PAKING	SS T-316
7	HANDLE	SS T-304

NORMAS USADAS EN FABRICACION
*API 598 INSPECCION Y PRUEBAS
*ANSI (ASME) B1.20.1 EXTREMOS ROSCADOS
*NACE MR 0175 USO EN GAS AMARGO.
*ASTM A-276 FABRICACION BAR STOCK